

# ComShare

## Multi-Function Serial Sharing Server

The ComShare series addresses the limitation where RS-232/422/485 interfaces support only a single Master in a network, thereby lacking redundancy. By acting as a specialized bridge between serial devices, PCs, and PLCs, ComShare enables multiple devices (three or more) to perform read/write operations. Effectively, it simplifies the process of sharing a single serial port among several computers through straightforward wiring.

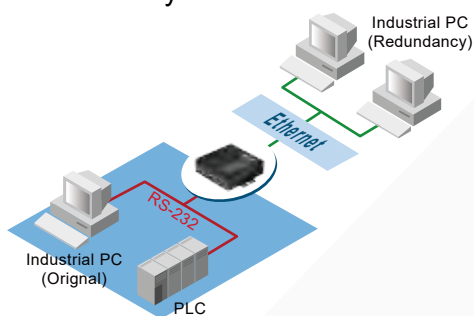
Each serial port can be set independently as Master or Slave, allowing flexible integration with RS-232/422/485 devices and industrial control/SCADA systems. ComShare also supports Ethernet source restriction, functioning like a firewall to block unauthorized access, enabling it to bridge network segments while protecting the system from cyber threats.

## Functions

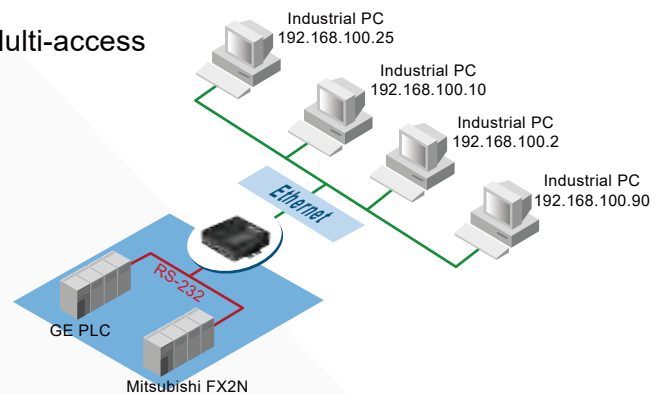
- Supports web-based configuration.
- Supports interactive serial communication protocols.
- When reading/writing serial devices through Ethernet, the source IP or IP range can be restricted.
- The logging mechanism allows ComShare to be used as a data scope.
- Each serial port can be configured in either active or passive mode (Master/Slave).
- Ethernet communication ports and serial communication ports operate independently and can be used separately.
- Using different wiring methods combined with different settings allow it to adapt to various environments.

## Applications

### Redundancy






### Multi-access



### Model Numbers for Ordering

• CS512/514/518/516	2/4/8/16 ports RS-232/422/485 can be selected from the software
• OPT1-DB9	DB9 to Terminal Connector, compatible with CS512/514
• OPT1I	1-meter RJ45-to-DB9 male adapter cable; compatible with CS518/516 (optional)
• OPT1J	30-centimeter RJ45-to-DB9 male adapter cable; compatible with CS518/516 (optional)
• 1702002600	US-standard plug with 1.8-meter power cord; compatible with CS518/516 (optional)
• 1702002605	EU-standard plug with 1.8-meter power cord; compatible with CS518/516 (optional)
• 1702031801	UK-standard plug with 1.8-meter power cord; compatible with CS518/516 (optional)
• 1702031836	China/Australia-standard plug with 1.8-meter power cord; compatible with CS518/516 (optional)

## Specifications

Model	CS 512	CS 514	CS 518	CS 516
				
<b>Network Communication</b>				
Specification	IEEE 802.3, IEEE 802.3u			
Transmission Speed	10/100 Mbps		10/100 Mbps, auto MDI/MDIX	
Number of Ports	2 (8-pin RJ45)			
Communication Protocols	TCP, UDP, HTTP, ICMP, ARP, Telnet			
Security Features	Built-in 1.5kV magnetic isolation			
<b>Serial Communication</b>				
Supported Interfaces	RS-232/422/485, select from the software			
Number of Ports	2	4	8	16
Connector Type	DB9 male		8-pin RJ45	
Data Bits	5, 6, 7, 8			
Stop Bits	1, 2			
Parity Check	None, Odd, Even			
Flow Control	NONE, RTS/CTS and XON/XOFF			
Baud Rate	110bps~115.2kbps			
Signal Type	RS-232: TxD, RxD, CTS, RTS, DTR, DSR, DCD, GND RS-422: TxD+, TxD-, RxD+, RxD-, GND RS-485: Data+, Data-, GND			
ESD	Built-in 15 kV ESD for all signals			
<b>Software</b>				
Operating System Support	32-bit/ 64-bit Windows XP/ Vista/ 7/ 8			
Setup Method	Web Browser			
<b>Hardware</b>				
Dimensions (mm)	36.6*140*95	48.6*140*95	440*44*220	440*44*220
Material	Metal with solid mounting hardware		SECC chassis	
Mounting Method	DIN-rail, Wall		Rack	
Net Weight (Kg)	620g	690g	2.53 Kg	2.58 Kg
<b>General</b>				
LED Indicators	System: Power, System Status/LAN: Speed/Link: Active Serial: Tx, Rx			
<b>Power Requirements</b>				
Power Input	12 ~ 48VDC, redundant dual inputs		100 ~ 240 VAC, 47 ~ 63 Hz	
Connector	Terminal block		IEC connector	
Power Consumption	5.2W	6.3W	10W	12W
<b>Environment</b>				
Operating Temperature	-10~60 °C			
Storage Temperature	-40~85 °C			
Humidity	5~95% RH			
<b>Certification</b>				
EMC Testing	CE, FCC, Part 15 Subpart B (Class A)			

※ Content may change without prior notice; Senwaiy Tech reserves the right to modify at any time. 2026.03



Singapore

E-Mail : [info@senwaiytech.com](mailto:info@senwaiytech.com) TEL : +65-69935188

Address : No. 21 Bukit Batok Crescent #13-77, Wcega Tower, Singapore 658065



Learn More

[www.senwaiytech.com](http://www.senwaiytech.com)